

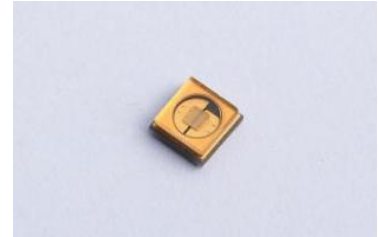


# InGaN-based UV photodiode

Model: GS-UVV-3535LCW

## General Features:

- 
- 
- 
- 

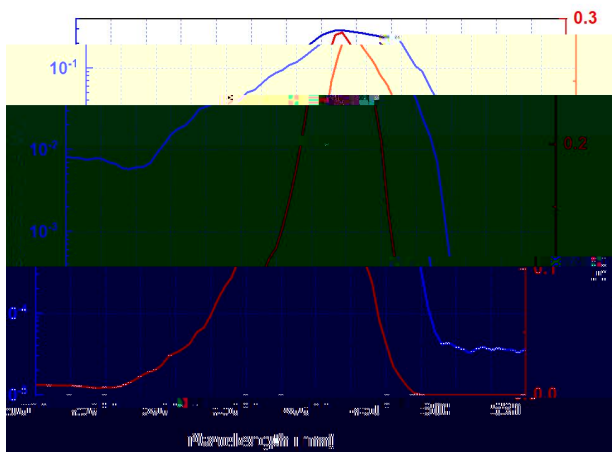


## Applications:

## Specifications:

Parameters	Symbol	Value	Unit
<b>Maximum ratings</b>			
<b>General characteristics (25 °C)</b>			
<b>Spectral response characteristics (25 °C)</b>			

## Spectral response



## Package dimensions

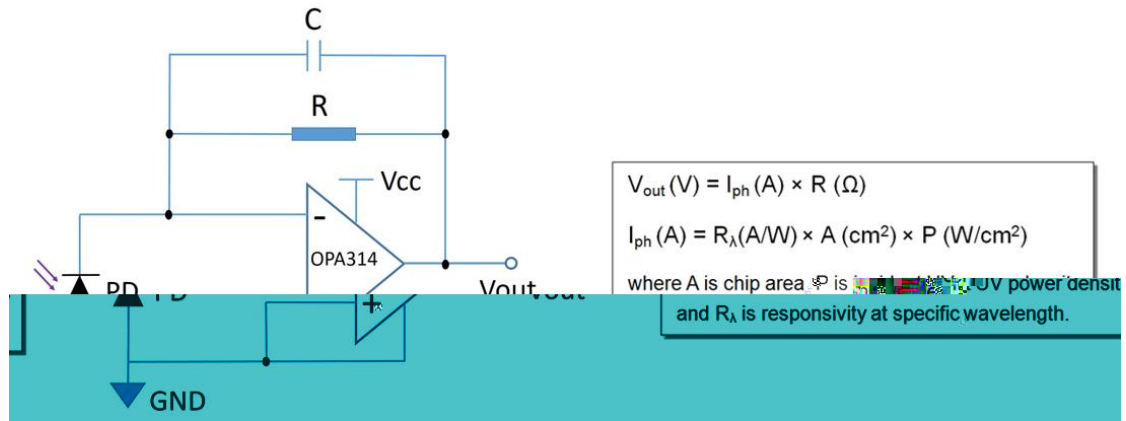
27.1±0.15      27.1±0.15



## InGaN-based UV photodiode

Model: GS-UVV-3535LCW

### Application circuit:



### Evaluation circuit board:

